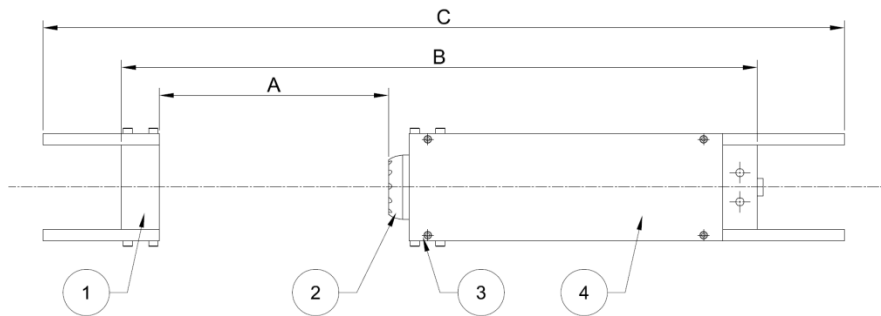


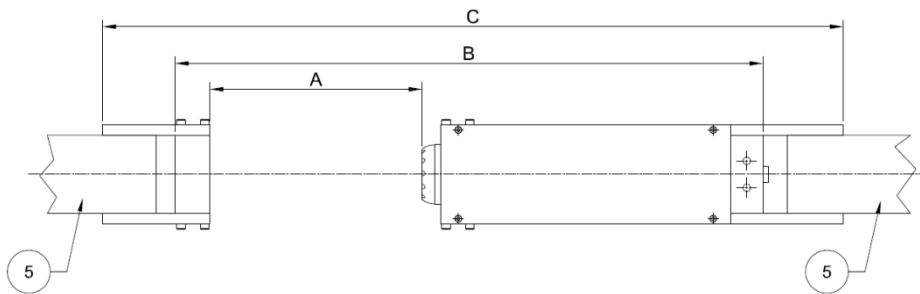
DS2L
INDOOR PNEUMATIC OPERATED
LINEAR DISCONNECTOR
12 – 36 kV
reliability and virtually no maintenance

HIGH POWER PNEUMATIC LINEAR DISCONNECTOR

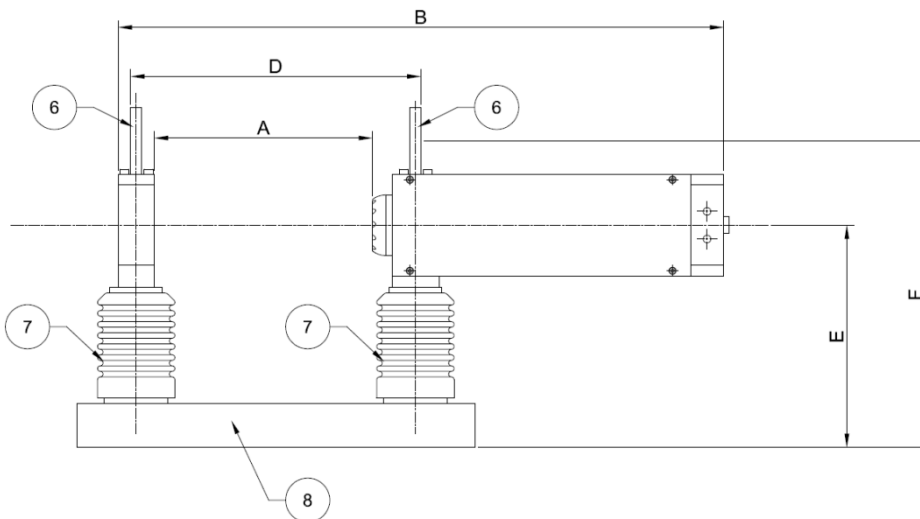
Live Part Main Dimensions



Solution Directly Connected With Bus Bar



Solution Supported by Insulator

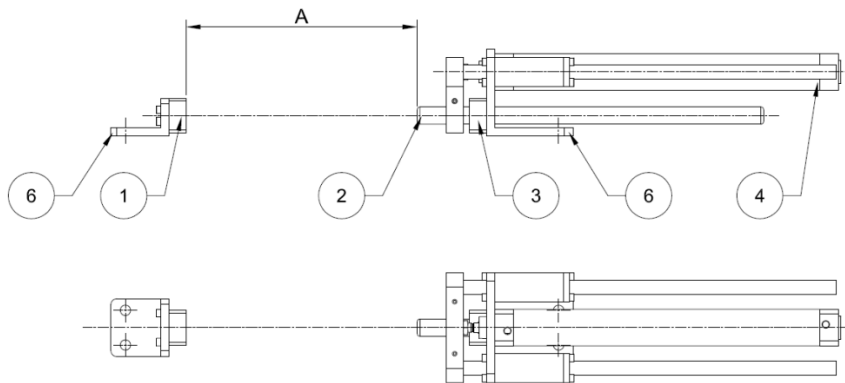


HIGH POWER PNEUMATIC LINEAR DISCONNECTOR MAIN DIMENSION – DS2L

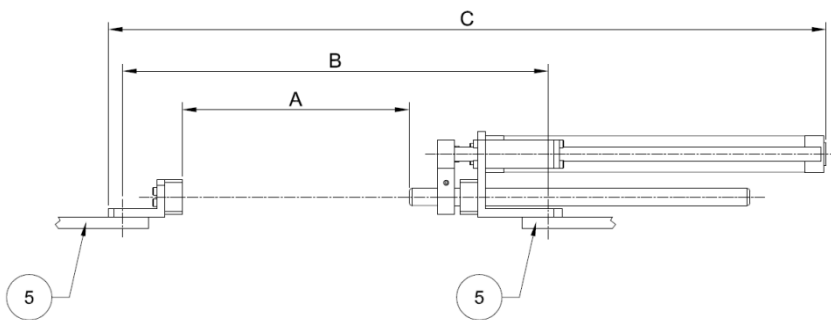
Rated Voltage (kV)	Outline Dimension (mm)					
	A	B	C	D	E	F
12	150	610	890	280	320	470
17.5	200	710	990	330	365	515
24	270	850	1130	400	400	550
36	360	1030	1310	490	490	640

LOW POWER PNEUMATIC LINEAR DISCONNECTOR

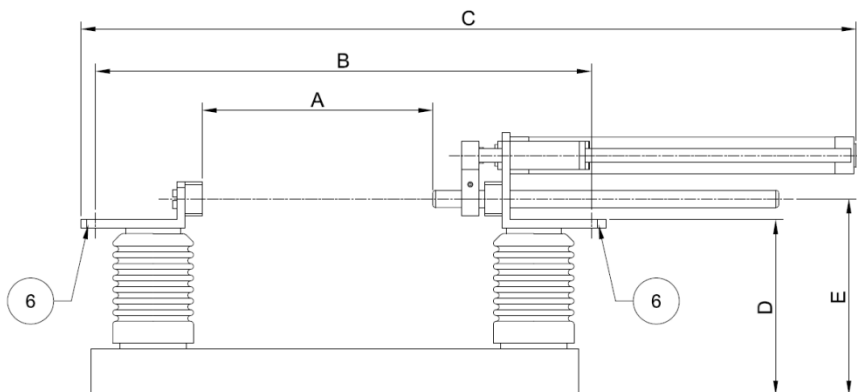
Live Part Main Dimensions



Solution "1" Directly Connected With Bus Bar



Solution "2" Supported by Insulator



LOW POWER PNEUMATIC LINEAR DISCONNECT MAIN DIMENSION – DS2L

Rated Voltage (kV)	Outline Dimension (mm)						
	A	B with solution "1"	B with solution "2"	C with solution "1"	C with solution "2"	D	E
12	150	500	600	1010	1130	225	260
17.5	200	550	650	1060	1180	270	305
24	270	620	720	1130	1210	305	340
36	360	710	810	1220	1300	395	430

TECHNICAL DATA

SHORT CIRCUIT TECHNICAL DATA – DS2L

HIGH POWER PNEUMATIC LINEAR DISCONNECTOR						
Rated voltage (Ur)		kV	12	17.5	24	36
Rated frequency (fr)		Hz	50/60	50/60	50/60	50/60
Rated short-withstand current	Up To	kA	120	120	120	120
Duration		s	3	3	3	3
Quantity short time current per hour	Up To	n°	5	5	5	5
Rated peak withstand current (Ip)	Up To	kAp	320	320	320	320
LOW POWER PNEUMATIC LINEAR DISCONNECTOR						
Rated voltage (Ur)		kV	12	17.5	24	36
Rated frequency (fr)		Hz	50/60	50/60	50/60	50/60
Rated short-withstand current	Up To	kA	25	25	25	25
Duration		s	3	3	3	3
Quantity short time current per hour	Up To	n°	20	20	20	20
Rated peak withstand current (Ip)	Up To	kAp	55	55	55	55

DIELECTRIC TECHNICAL DATA FOR HIGH AND LOW POWER PNEUMATIC LINEAR DISCONNECTOR – DS2L

Rated voltage (Ur)		kV	12	17.5	24	36
Rated power frequency withstand voltage for 1 minute						
To earth		kV	28	38	50	70
Across the insulating distance		kV	32	45	60	80
Rated lightning impulse withstand voltage (1.2/50 μs)						
To earth		kVp	75	95	125	170
Across the isolating distance		kVp	85	110	145	195

Idea 45 DS2L disconnector is designed with the most advanced techniques by a team of engineers with over 40 years of experience in the field of high and very high voltage disconnector.

The DS2L disconnector is designed for indoor power laboratory to ensure the best performance and maximum reliability during the laboratory short time current test.

Thanks to the advanced current path design and material, sliding contact solution and pneumatic operation, make the disconnector virtually maintenance free for 30.000 operations.

The disconnector is operate with compressed air thanks to its strong and reliable pneumatic piston. In the high power disconnector the piston is integrated on mobile contact (2) to reduce the external dimension of equipment.

The disconnector live part can be supported and integrated with the laboratory bus bar system or can be supplied completed with the support insulators (7), the number, mechanical characteristic and dimension of insulators depend from the requested short time current and rated voltage.

The main part of disconnectors are:

- 1- Fixed contact
- 2- Moving contact
- 3- Stationary contact of moving part
- 4- Piston housing
- 5- Customer bus bar
- 6- Terminal pad
- 7- Support insulators – Porcelain or Epoxy / Composite on request
- 8- Disconnector base

The main disconnector characteristics are as above described but they modular components can be customized according to the customer needs.

CONTACT US

IDEA45 srl

Via Torino 1/L,

35035 Mestrino (Pd) Italy

Phone: +39 049 856 1274

Fax: +39 049 872 8263

www.idea45srl.com

info@idea45srl.com